

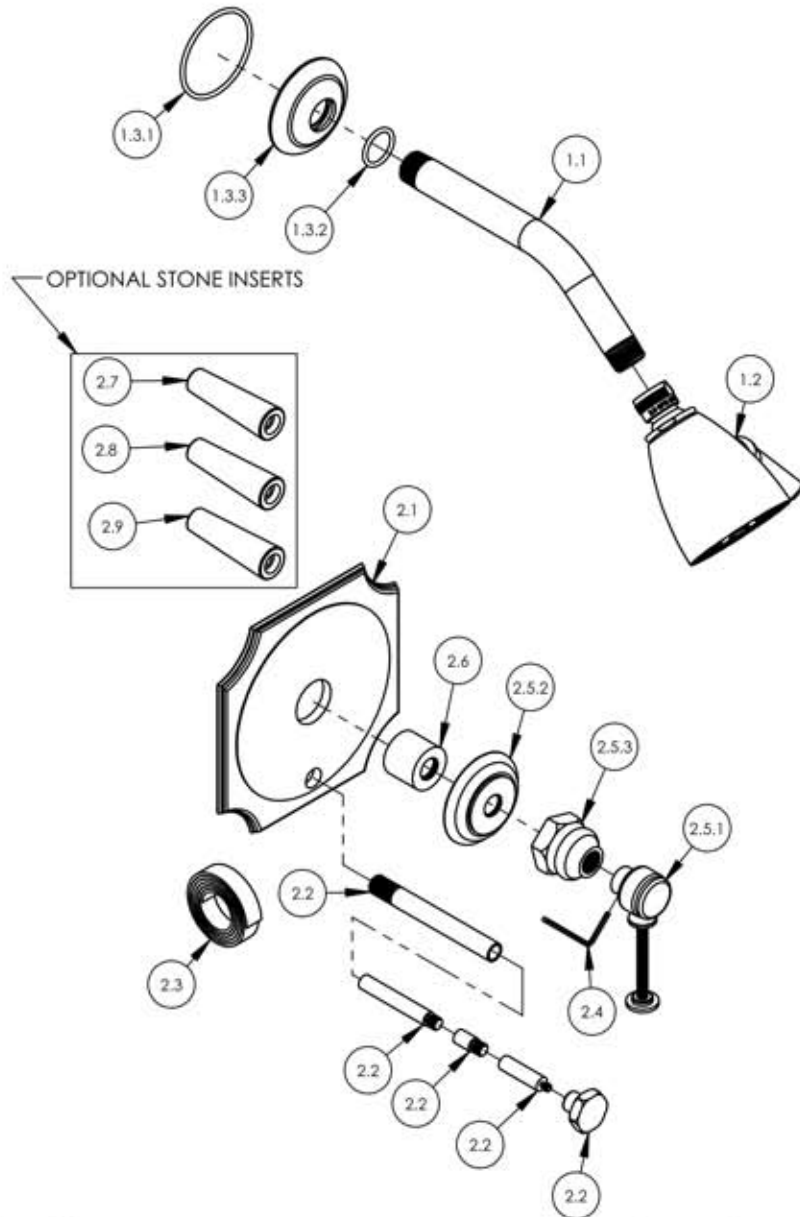
A

B

C

D

E



ITEM NO.	PART NUMBER	DESCRIPTION	QTY.
1	4-140/00	SHOWER HEAD 8" ARM, 6 JET PLUNGER, HEX TRADITIONAL	1
1.1	P16008/00	SHOWER ARM (8 INCH)	1
1.2	P16014/00	SHOWERHEAD SIX JET	1
1.3	810/00	SHOWER FLANGE, TRADITIONAL	1
1.3.1	90138	O-RING, 2 1/8"ID X 3/32"THK., AS-568-138	1
1.3.2	90117	O-RING, 7/8"ID X 33/32"THK., AS-568-117	1
1.3.3	P16011/00	K803 SHOWER FLANGE	1
2	4-167/00	PRESSURE BALANCE PLATE WITH DIVERTER, SCALLOPED PLATE, MARBLE LEVER HANDLE	1
2.1	10516/00	TRIM PLATE DIVERTED, FRENCH TRAD. PB/THERMO	1
2.2	3-322/00	EXTENSION ASSY. FOR PB TUB & SHOWER SET, HEX MODERN & TRADITIONAL SERIES	1
2.3	90537	1/16" TAPE FOR WALL PLATE	1
2.4	92184	HEX L-KEY 3/32" HEX x 2 1/8"L	1
2.5	3-373/00	LEVER HANDLE ASSY., WALL/SHOWER, LESS INSERT	1
2.5.1	2-142/00	LEVER HANDLE, LESS INSERT	1
2.5.2	10618/00	ESCUTCHEON, TRADITIONAL 500	1
2.5.3	10621/00	BASE HUB NUT	1
2.6	10986	CENTERING PLATE SLEEVE	1
2.7	11328/030	BLACK MARBLE, HANDLE INSERT	1
2.8	11329/031	WHITE MARBLE, HANDLE INSERT	1
2.9	11330/032	SOAP STONE, HANDLE INSERT	1

ALL	A	-UPDATED UP SUB ASSEMBLIES	10/29/2015	GRE
ZONE	REV.	DESCRIPTION	DATE	APPROVED
REVISIONS				

1261 LOGAN AVENUE  
COSTA MESA, CALIFORNIA 92626  
PHONE: 714.361.4800  
FAX: 714.617.3120

# PHYLORICH®

Defining Luxury Since 1959

**PROPRIETARY AND CONFIDENTIAL**  
THE INFORMATION CONTAINED IN THIS DRAWING IS THE SOLE PROPERTY OF R3S MANUFACTURING. ANY REPRODUCTION IN PART OR AS A WHOLE WITHOUT THE WRITTEN PERMISSION OF R3S MANUFACTURING IS PROHIBITED.

NEXT ASSY	USED ON	FRACTIONS ±1/64"	DECIMALS X.X: ±.1 X.XX: ±.01 X.XXX: ±.005	ANGULAR ±.5°
APPLICATION				
MATERIAL				
FINISH				
<b>DO NOT SCALE DRAWING</b>				
DRAWN	LLO	8/4/2015		
CHECKED	GRE			

**PRESSURE BALANCE & DIVERTER SET (LESS SPOUT), SCALLOPED PLATE, MARBLE LEVER HANDLE**

SIZE	ASM/PRT NO.	REV
<b>A</b>	4-163/00	A
SCALE: 1:4.5	WEIGHT: lbs.	SHEET 1 OF 2

5

4

3

2

1